



ALARMS & INDICATION

XTRA-BRITE FLASHING OR STEADY LED MULTI-COLOR STATUS INDICATORS 105XBRI SERIES

DESCRIPTION

The Edwards Signaling 105XBRI Series XTRA-BRITE™ LED multi-status indicator is a heavy duty, reliable UL and cUL listed, multi-color visual signaling device. It features a corrosion resistant Type 4X enclosure that is UL listed for Marine use, and can be panel or conduit mounted. The base is manufactured from glass-reinforced thermoplastic polyester resin and the double fresnel lens is made of shatter resistant polycarbonate. The lights are available in 24 VDC and 120 VAC 50/60 Hz, in either Red/Blue/Amber or Red/Green/Amber.

FEATURES

- Available in 24V DC or 120V AC
- Available in Red/Blue/Amber or Red/Green/Amber
- Three mounting bases: 3/4" pipe mount attachment, outlet box attachment, or wall mounting bracket
- PLC compatible
- XTRA-SAFE™ Technology enables status indication for those who are color blind
- Dip switch settings for use with or without external control
- Immune to shock and vibration

SPECIFICATIONS

Supply Voltage	
105XBRIxA24D	24 VDC, 15 mA
105XBRIxA120A	120 VAC, 50/60Hz, 12 VA
Max. Off State Leakage Current	
	5mA
Surge	
105XBRIxA24D	Inrush/Duration
105XBRIxA120A	28A/65uSeconds
	28.5A/212uSeconds
LED Colors	
	Red/Green/Amber or Red/Blue/Amber
Flash Mode	
	Dipswitch settings for use with or without external control
Flash Rate	
	XTRA-SAFE™ Mode; Red 240 FPM, Amber 120 FPM, Green or Blue 65 FPM
Projected LED Life	
	148,000 hours
Operating Temperature	
	31° to 150°F (-35° to 66°C)
Mounting	
	¾" pipe mount attachment, outlet box attachment, or wall mounting bracket
Enclosure Rating	
	NEMA 4X
Dimensions	
	4.5"W x 4.625"H (114 x 117 mm)
Weight	
	1.4 lb (0.63 Kg)
Approvals	
	UL File #E212211
Warranty	
	1 year

FLASH RATE

	FPM	FPM	Steady
Red	240	65	Control by input PRI.-1
Amber	240	65	Control by input PRI.-2
Green/Blue	65	Steady	Control by input PRI.-3

NEW!

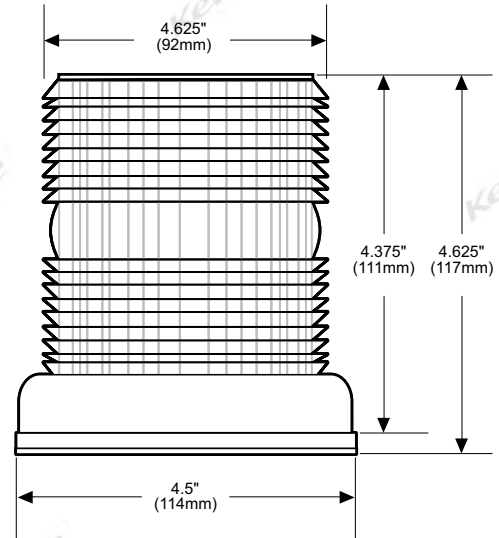
Edwards Signaling



105XBRI-RGA



DIMENSIONS



HAZARDOUS LOCATIONS RATINGS

Cat. No	Class	Division	Group	Operating Temperature
105XBRI RGA24D	I	2	A, B, C, D	T5 (100°C, 212°F)
105XBRI RGA120A	II	2	F, G	T5 (100°C, 212°F)
	III			T5 (100°C, 212°F)
105XBRI RBA24D	I	2	A, B, C, D	T6 (85°C, 185°F)
105XBRI RBA120A	II	2	F, G	T6 (85°C, 185°F)
	III			T6 (85°C, 185°F)

2

ALARMS & INDICATION

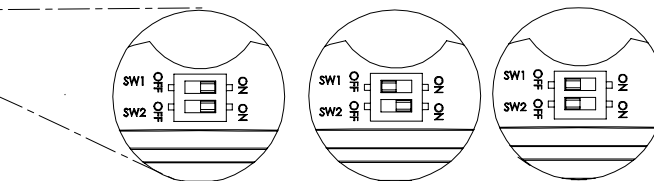
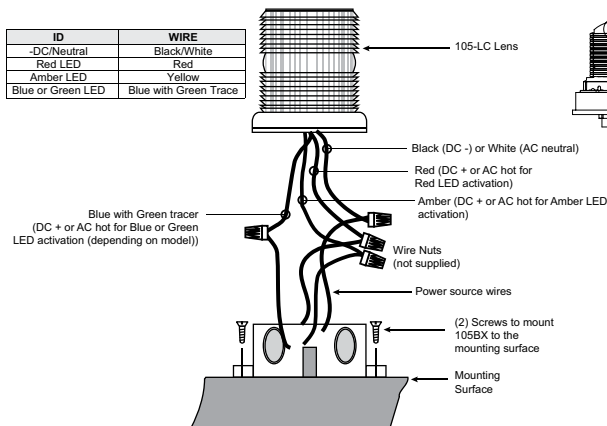
NEW!

ALARMS & INDICATION

XTRA-BRITE LED MULTI-STATUS INDICATOR 105XBRI SERIES



WIRING



Dipswitch Settings:

- Applications WITHOUT a PLC or Controller* - XTRA-SAFE Technology Enabled (Factory Default)
- Applications WITHOUT a PLC or Controller* - XTRA-SAFE Technology Disabled
- Applications WITH a PLC or Controller*

*It is generally recommended that both dipswitches, SW1 and SW2, be set to OFF for applications using an external Programmable Logic Controller (PLC) or other external controller. A PLC or controller, however, can be used with any of the shown configurations.

(Dipswitch located inside the unit)

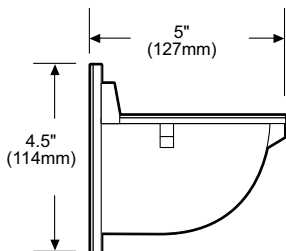
ORDERING INFORMATION

MODEL	DESCRIPTION
105XBRI	LED Multi-Status Indicator in NEMA 4X Enclosure
	COLORS
RGA	Red, Green, Amber
RBA	Red, Blue, Amber
	SUPPLY VOLTAGE
24D	24 VDC
120A	120 VAC @ 50/60 Hz

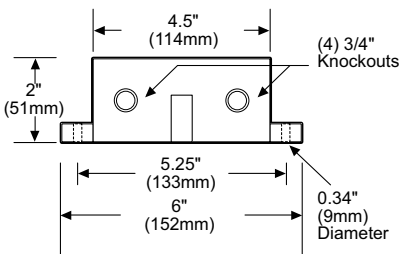
105XBRI - **RGA** - **24D** *Example:* **105XBRI**RGA**24D** LED Multi-Status Indicator in NEMA 4X Enclosure with Red, Green, and Amber lens, and 24 VDC

ACCESSORIES

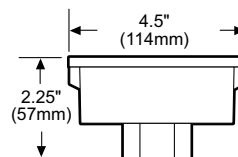
- 105BM** Wall-mount bracket (requires 105BX)
- 105BX** Surface-mount box
- 105PM** Pipe-mount base



105BM Mounting Bracket
(use with 105BX)



105BX Outlet Box Attachment



105PM Pipe Mount Attachment